

SC-28926-TIR

1/3" Color EX-View High Resolution Vari-Focal Infrared Camera

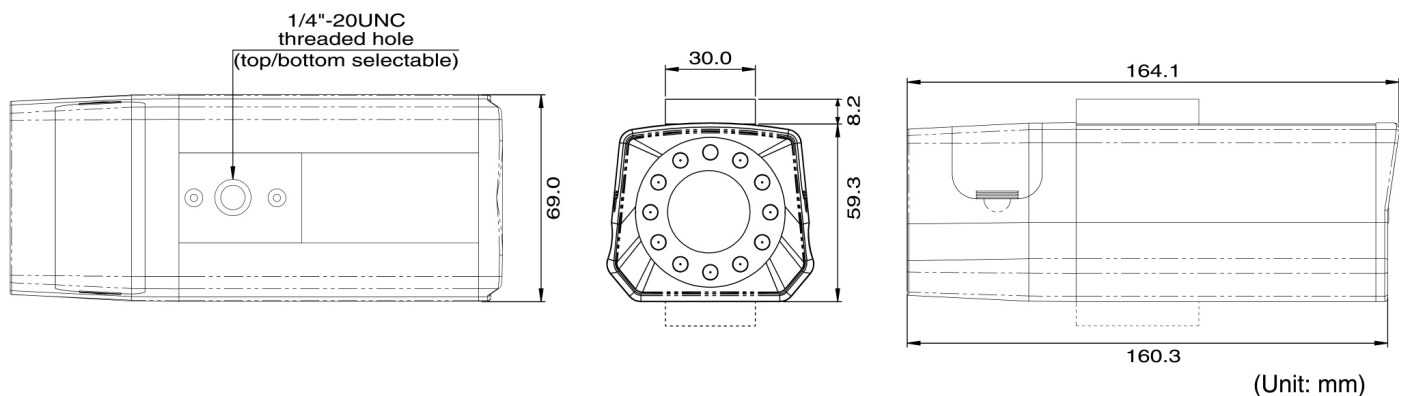


Camera Highlights

- ◆ 1/3" SONY Ex-View CCD
- ◆ High Resolution 550 TV lines
- ◆ Built-in auto iris vari-focal lens
- ◆ Supports electronic shutter function
- ◆ Line lock
- ◆ 16 LEDs
- ◆ Available IR distance: 10 meters (at least)
- ◆ Automatic ATW and AWB

This is a high resolution digital color camera with Sony ExView technology for crystal clear color images during the day and noise-free images at night. These cameras offer a choice of vari-focal auto-iris lens, which is a great advantage, because they can be adjusted to choose a variety of focal distances and angles of view. Day/Night functions in SC-28926-TIR allow excellent picture quality under low-light conditions. The ICR (Infrared Cut filter Removal) function converts images from color to monochrome automatically in low light situation plus filter elimination at night. The Auto Tracking White Balance (ATW) function improves picture quality and color reproduction in variable light settings. Back Light Compensation (BLC) electronically compensates for high background lighting to give detail which would normally be silhouetted. This camera also features Automatic Level Control (ALC) function, which means that the camera can bring out detail in bright or dark areas of an image. If too much sunlight makes an image too dark, ALC can focus on the needed image. The S/N Ratio is more than 48dB. The camera features 16 powerful infrared illuminators for a low light condition of 0.03Lux. This camera is recommended for DVR system utilizing digital motion detection. The camera eliminates noise that can trigger false motion detection events.

Camera Dimensions



Model Specifications

Model	SC-28926-TIR	
Description	1/3" Ex-View Vari-Focal IR Camera	
Pick up Element	Sony Ex-View CCD Image Sensor	
Number of Pixels	<NTSC>768 (H) × 494 (V) / <PAL>752 (H) × 582 (V)	
Back Light Compensation	ON-OFF	
Lens	Auto Iris Vari-Focal Lens (DC Drive)	
Infrared LED	Quantity	16
	Radiant Distance	10 meters
Auto Electronics Shutter	ON-OFF	
Link Lock	ON	
ICR	YES	
ALC	Low-High	
ATW	ON-OFF	
BLC	ON-OFF	
Sync. Mode	Internal Sync.	
Scanning System	2:1 Interlace	
Resolution	550 TVL	
S/N Ratio	48db	
Gamma	0.45	
Minimum illumination	0.03Lux, F 1.4	
Horizontal Sync. Frequency	<NTSC> 15.750 KHz <PAL> 15.625 KHz	
Video Output	1.0 Vp-p, 75 ohm	
Power Source	AC / DC(12~24)V ; AC 99V~240V(Switching Power)	
Power Consumption	3.6W	
Operating Temperature	-10°C to +60°C	
Shutter Control	<NTSC> 1/60-1/100,000 sec. / <PAL>1/50-1/100,000sec	
Dimension	164.1(L) × 67.5(H) × 69(W) mm	
Net Weight	<AC Type> 0.9kg <DC Type> 0.6kg	
Ext. Model	SC-28926DIR / Crystal filter is not moveable	

*Specifications are subject to change without notice