

CC - 8706-DVF

1/3" Color High Resolution Vari-Focal Camera



Camera Highlights

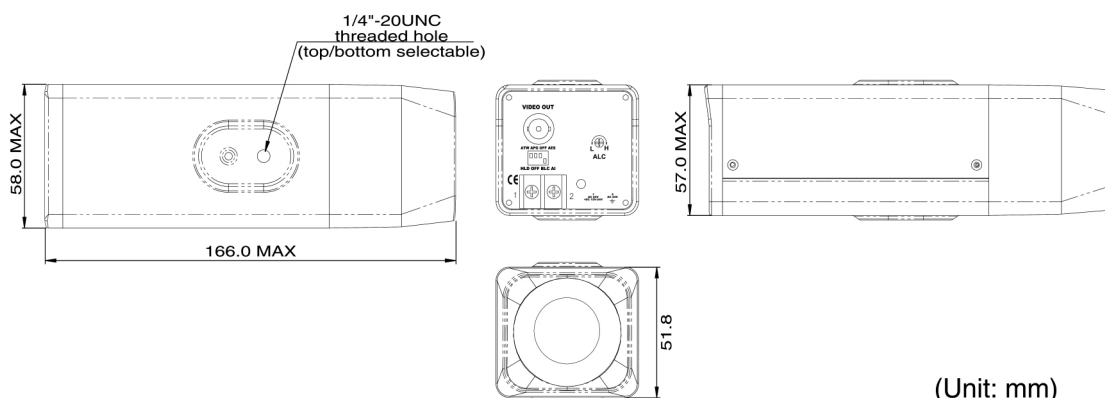
- ◆ 1/3" Panasonic D5CCD image sensor
- ◆ High Resolution 550 TV lines
- ◆ Built-in auto iris vari-focal lens
- ◆ Supports electronic shutter function
- ◆ Automatic ATW
- ◆ AGC, ALC and BLC functions
- ◆ Minimum illumination 0.5 Lux (F 1.4)

The CC-8706-DVF camera features 550 TV Lines resolution provided by 1/3 inch Panasonic D5 CCD image sensor and creates premium-quality color images.

These cameras offer a choice of vari-focal auto-iris lens, which is a great advantage, because they can be adjusted to choose a variety of focal distances and angles of view. The Auto Tracking White Balance (ATW) function improves picture quality and color reproduction in variable light settings. Back Light Compensation (BLC) electronically compensates for high background lighting to give detail which would normally be silhouetted. This camera also features Automatic Level Control (ALC) function, which means that the camera can bring out detail in bright or dark areas of an image. If too much sunlight makes an image too dark, ALC can focus on the needed image. Minimum illumination requirements for CC-8710-DVF camera are as low as 0.5 Lux (F 1.4). The S/N Ratio is more than 48dB.

The camera can be operated under a very wide range of temperature (-10°C to +60°C) without safety concern.

Camera Dimensions



Model Specifications

Model	CC-8706-DVF
Description	1/3" Color High Resolution Vari-Focal Camera
Pick up Element	Panasonic D5 CCD Image Sensor
Number of Pixels	<NTSC>768 (H) × 494 (V) <PAL>752 (H) ×582 (V)
Back Light Compensation	ON-OFF
Lens	Auto Iris Vari-Focal Lens (DC Drive)
Auto Electronics Shutter	ON-OFF
ALC	Low-High
APG	ON-OFF
ATW	ON-OFF
BLC	ON-OFF
Sync. Mode	Internal Sync.
Scanning System	2:1 Interlace
Resolution	550 TVL
S/N Ratio	48db
Gamma	0.45
Minimum illumination	0.5Lux, F 1.4
Horizontal Sync. Frequency	<NTSC> 15.750 KHz <PAL> 15.625 KHz
Video Output	1.0 Vp-p, 75 ohm
Power Source	AC/DC(12~24)V ; AC 99V~240V (Switching Power)
Power Consumption	3.6W
Operating Temperature	-10°C to +60°C
Shutter Control	<NTSC> 1/60-1/100,000 sec. / <PAL>1/50-1/100,000sec
Dimension	166 (L) × 57(H) ×58(W) mm
Net Weight	<AC Type> 0.8kg <DC Type> 0.5kg
Ext. Model	CC-8706BVF / with Manual Iris Vari-Focal Lens

*Specifications are subject to change without notice