

SC- 8905-S

1/3" Color High Resolution DSP Camera

Camera Highlights



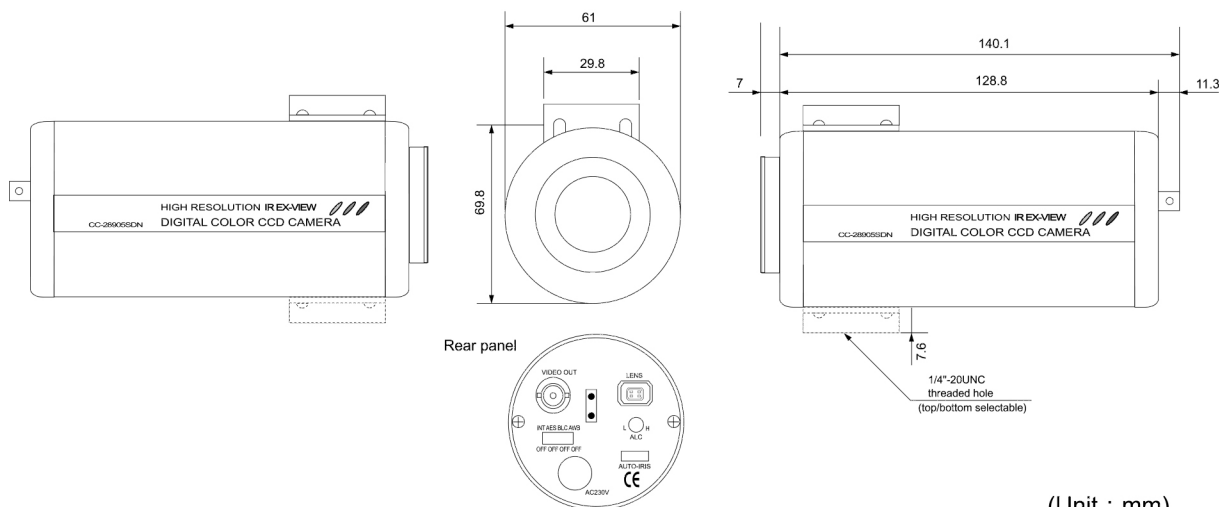
- ◆ 1/3" SONY Super – HAD CCD
- ◆ High Resolution 550 TV lines
- ◆ Supports electronic shutter function
- ◆ Auto-iris
- ◆ Automatic ATW
- ◆ AGC, ALC and BLC functions
- ◆ Minimum illumination 0.5 Lux F1.4
- ◆ Line Lock

This is a high 550 TV lines resolution digital color camera with Sony Super- HAD CCD image sensor technology for crystal clear color images.

Digital Signal Processing (DSP) minimizes aliasing (the creation of color noise) when viewing patterned objects. The Auto Tracking White Balance (ATW) function improves picture quality and color reproduction in variable light settings. Back Light Compensation (BLC) electronically compensates for high background lighting to give detail which would normally be silhouetted. This camera also features Automatic Level Control (ALC) function, which means that the camera can bring out detail in bright or dark areas of an image. If too much sunlight makes an image too dark, ALC can focus on the needed image. Minimum illumination requirements for SC-8905-S camera are 0.5 Lux (F 1.4). The S/N Ratio is more than 48dB.

The camera can be operated under a very wide range of temperature (-10°C to +60°C) without safety concern.

Camera Dimensions



(Unit : mm)

Model Specifications

Model	SC-8905-S
Description	1/3" High Resolution Color CCD Camera
Pick up Element	Sony Super – HAD CCD Image Sensor
Number of Pixels	<NTSC> 768 (H) × 494 (V) <PAL> 752 (H) × 582 (V)
Back Light Compensation	ON-OFF
Video / DC Drive Auto Iris	Video or DC Drive
ATW / AWB	ATW-AWB (Optional)
Auto Electronics Shutter	ON-OFF
Line Lock	ON-OFF
AGC	ON
ALC	Low-High
Sync. Mode	Internal Sync.
Scanning System	2:1 Interlace
Resolution	550 TV Lines
S/N Ratio	More than 48dB
Gamma Characteristic	0.45
Minimum illumination	0.5 Lux, F 1.4
Horizontal Sync. Frequency	<NTSC> 15.734 KHz <PAL> 15.625 KHz
Video Output	1.0 Vp-p, 75 ohm
Power Source	DC 12V / AC 24V / 110V 220 V / 240 V
Power Consumption	3.6W
Operating Temperature	-10°C to +60°C
Lens Mount	C/CS Mount
Shutter Control	<NTSC> 1/60-1/100,000 sec. <PAL> 1/50-1/100,000 sec.
Dimension	117 (L) × 61 (Ø) mm
Net Weight	<AC Type> 0.9kg <DC Type> 0.6kg
Ext. Model	SC-8905SA/ with Audio

*Specifications are subject to change without notice