

## SC- 8919-DVF

### 1/3" Color Super HAD High Resolution Waterproof Vari-focal Camera

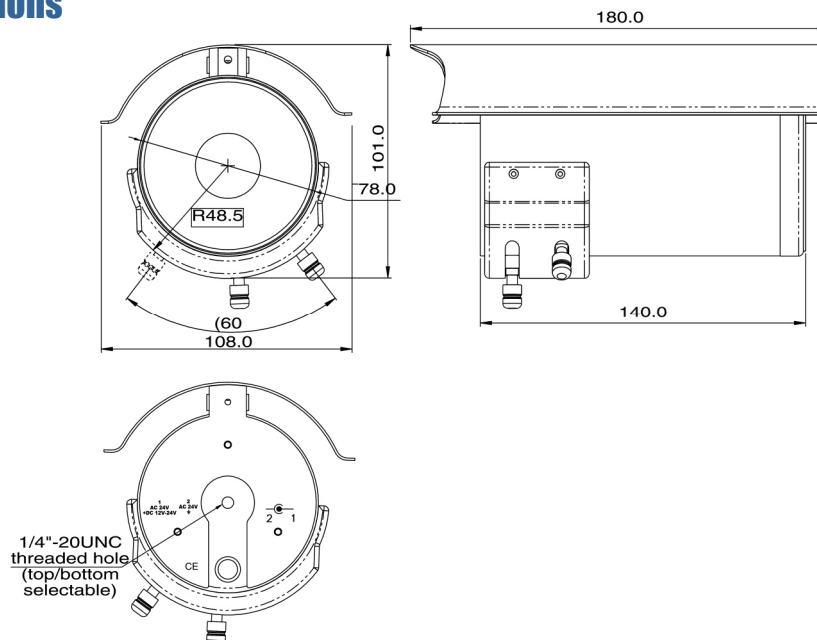


#### Camera Highlights

- ◆ 1/3" SONY Super HAD CCD
- ◆ High Resolution 550 TV lines
- ◆ Built-in auto iris vari-focal lens
- ◆ Focus of lens is adjusted by outer controller
- ◆ Minimum illumination at 0.5 Lux, F 1.4
- ◆ Meets IP66 standards for outdoor installation
- ◆ Line Lock
- ◆ Automatic ATW and AWB
- ◆ Automatic BLC and AGC

The SC-8919-DVF is a high resolution digital color camera with Sony Super HAD technology for clear color images. These cameras offer a choice of vari-focal auto-iris lens, which is a great advantage, because they can be adjusted to choose a variety of focal distances and angles of view. Automatic Gain Control (AGC) automatically adjusts the video quality in low light condition. The Auto White Balance (AWB) function improves picture quality and color reproduction in variable light settings. This camera also features Automatic Level Control (ALC) function, which means that the camera can bring out detail in bright or dark areas of an image. If too much sunlight makes an image too dark, ALC can focus on the needed image. Back Light Compensation (BLC) electronically compensates for high background lighting to give detail which would normally be silhouetted. Minimum illumination requirements are as low as 0.5 Lux (F 1.4). The SC-8919-DVF camera is ready for outdoor installation (meets IP66 standards). It can be operated under a very wide range of temperature (-10°C to +60°C) without safety concern.

#### Camera Dimensions



**Model Specifications**

Model	SC-8919-DVF
Description	1/3" Color High Resolution Waterproof Vari-Focal Camera
Pick up Element	Sony Super-Had CCD Image Sensor
Number of Pixels	<NTSC> 768 (H) x 494 (V) <PAL> 752 (H) x 582 (V)
Back Light Compensation	ON
Lens	Auto Iris Vari-Focal Lens (DC Drive)
Auto Electronics Shutter	ON
Auto White Balance	ON
Line Lock	ON
ALC	ON
AGC	ON
Sync. Mode	Internal Sync.
Scanning System	2:1 Interlace
Resolution	550 TV Lines
S/N Ratio	More than 48dB
Gamma Characteristic	0.45
Minimum illumination	0.5 Lux, F1.4
Horizontal Sync. Frequency	<NTSC> 15.734 KHz <PAL> 15.625 KHz
Video Output	1.0 Vp-p, 75 ohm
Power Source	AC/DC(12~24)V (Switching Power)
Power Consumption	3.6W
Operating Temperature	-10℃ to +60℃
Lens Amount	C/CS Mount
Shutter Control	<NTSC> 1/60-1/100,000 sec. <PAL> 1/50-1/100,000 sec.
Dimension	180 (L) x108 (W) x 101 (H) mm
Net Weight	1.0kg
Ext. Model	SC-8919BVF / with Manual Iris Vari-Focal Lens

\*Specifications are subject to change without notice