

## SC- 8981-WD

### 1/3" Color High Resolution Wide Dynamic Camera



#### Camera Highlights

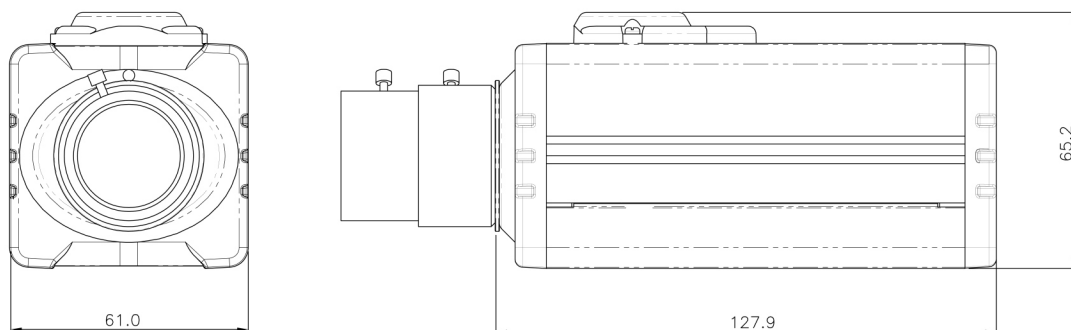
- ◆ 1/3" SONY Double Speed CCD
- ◆ High Resolution 550 TV lines
- ◆ Provide Crisp & Clear Picture Image
- ◆ Minimum illumination at 0.5 Lux, F 1.4
- ◆ Supports electronic shutter function
- ◆ Line lock
- ◆ Automatic ATW and AWB

The SC-8981-WD is a high resolution Wide Dynamic camera featuring the Sony double speed CCD and the Wide Dynamic technology to ensure that both the foreground and background can be viewed clearly.

Automatic Gain Control (AGC) automatically adjusts the video quality in low light condition. The Auto Tracking White Balance (ATW) and Auto White Balance (AWB) functions improve picture quality and color reproduction in variable light settings. This camera also features Automatic Level Control (ALC) function, which means that the camera can bring out detail in bright or dark areas of an image. If too much sunlight makes an image too dark, ALC can focus on the needed image. Minimum illumination requirements for SC-8981-WD camera are as low as 0.5 Lux (F 1.4).

The camera can be operated under a very wide range of temperature (-10°C to +60°C) without safety concern.

#### Camera Dimensions



(Unit:mm)

## Model Specifications

<b>Model</b>	<b>SC-8981-WD</b>
<b>Description</b>	1/3" Color Wide Dynamic Camera
<b>Pick up Element</b>	Sony Double Speed CCD
<b>Number pixels</b>	<NTSC> 768 (H) × 494 (V) <PAL> 752 (H) × 582 (V)
<b>Auto Electronics Shutter</b>	ON-OFF
<b>ATW AWB</b>	ATW / AWB
<b>Wide Dynamic</b>	ON-OFF
<b>Line Lock</b>	ON
<b>AGC</b>	ON-OFF
<b>ALC</b>	Low-High
<b>Sync. Mode</b>	Internal Sync.
<b>Scanning System</b>	2:1 Interlace
<b>Resolution</b>	550 TV Lines
<b>S/N Ratio</b>	More than 48dB
<b>Gamma Characteristic</b>	0.45
<b>Minimum illumination</b>	0.5 Lux, F 1.4
<b>Horizontal Sync. Frequency</b>	<NTSC> 15.734 KHz <PAL> 15.625 KHz
<b>Video Output</b>	1.0 Vp-p, 75 ohm
<b>Power Source</b>	AC / DC( 12~24)V ; AC 99V~240V(Switching Power)
<b>Power Consumption</b>	3.6W
<b>Operating Temperature</b>	-10°C to +60°C
<b>Lens Mount</b>	C/CS Mount
<b>Shutter Control</b>	<NTSC> 1/60-1/100,000 sec. <PAL> 1/50-1/100,000 sec.
<b>Dimension</b>	127.9(L) × 61 (W) × 65.2 (H)mm
<b>Net Weight</b>	<DC Type> 0.5kg ; <AC / DC Type> 0.68kg ; <AC Type> 0.8kg

\*Specifications are subject to change without notice